



Grid Solutions
a GE and Alstom joint venture

PROTECTION PRODUCT SOLUTIONS

MiCOM Agile P24x

Rotating machine management relay

The advanced features of the MiCOM Agile P24x provide complete protection and peace of mind, as well as a comprehensive range of measurement, control and monitoring features to enhance power system diagnostics and fault analysis

CUSTOMER BENEFITS

- Comprehensive protection for both induction and synchronous machines
- Machine differential function
- Optimize machine thermal image monitoring
- Facilitate and provide an aid to maintenance
- Save on wiring costs
- Reduce the need for transducers and measurement devices
- Programmable scheme logic and programmable curves allow easy customization of the protection and control functions
- Redundant communications with zero downtime using optional PRP technology

Ideal choice for advanced protection and monitoring

Improving competitiveness and performance while adapting to a rapidly changing business environment is key to any business success.

New solutions must be developed to optimize return on investment and to benefit from the latest technologies.

MiCOM Agile P24x relays offer a comprehensive package of protection for both synchronous and induction machines.

MiCOM Agile P24x series extends IEC 61850-8-1 station bus to include Parallel Redundancy Protocol (PRP), which offers a vendor-interoperable solution to implement redundant communications. It has the advantage of taking zero time to recover from a failure, as parallel alternative paths are continually operative. This corresponds to 25 ms or more healing time for legacy techniques such as RSTP.



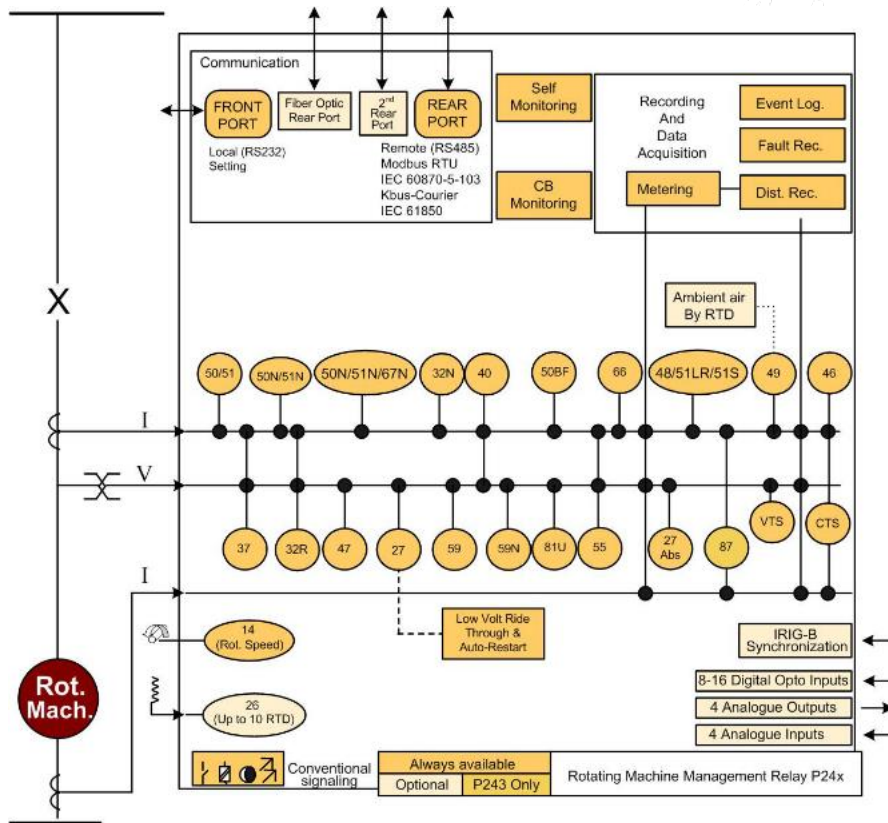
P241 in 40TE



P243 in 80TE



FUNCTIONAL OVERVIEW



APPLICATION

The MiCOM Agile P24x is more than a conventional protection relay. It offers numerous functions suitable and sometimes crucial for a range of applications, including:

- Protection
- Monitoring
- Diagnosis
- Fault analysis
- Aids to maintenance

Compact, specially developed and designed for rotating machines, MiCOM Agile P24x relays perform an essential role in many industrial processes:

- Medium-sized and large rotating machines
- High inertia machines
- Differential protection
- Wide ranges of starting and stalling currents and times
- Wide ranges of thermal withstands under balanced or unbalanced conditions

MAIN FUNCTIONS

By concept and design, the main functions are grouped into autonomous functional groups, which can be individually configured or disabled for particular applications. This notion permits a wide scope of functions, simplifying the setting procedures and providing adaptation to the protection, control and monitoring tasks under consideration.



ANSI	IEC 61850	PROTECTION AND FEATURES	P241	P242	P243
50/51	OcpPTOC	Short circuit	•	•	•
50N/51N	EfdPTOC	Earth fault	•	•	•
50N/51N/67N	SenEftPTOC	Directional/Non-directional sensitive earth fault	•	•	•
32N/64N	SenEftPDOP	Wattmetric characteristic	•	•	•
50BF	CbfrBRF	Breaker failure	•	•	•
	SvnRVCS1	Current transformer supervision	•	•	•
	SvnRVCS1	Voltage transformer supervision	•	•	•
66	MotPMRI	Number of starts limitation	•	•	•
37	LosLodPDUP	Loss of load / Underpower	•	•	•
46	NgcPTOC	Negative sequence overcurrent	•	•	•
32R	PwrRevPDOP	Reverse power	•	•	•
47		Reverse phase sequence detection	•	•	•
49	ThmPTTR	Thermal overload	•	•	•
		Auto adaptation of thermal replica to ambient temp. by RTD	•	•	•
40	UxpPDUP	Loss of field	•	•	•
87	DifLzdPDF	Machine differential			•
27/59	VtpPhsPTUV/Vt pPhsPTOV	Undervoltage / Overvoltage	•	•	•
47	NgvPTOV	Negative phase sequence over voltage	•	•	•
27Abs	AbsPTUV	Anti backspin	•	•	•
59N	VtpResPTOV	Residual overvoltage	•	•	•
81U	UfpPTUF	Underfrequency	•	•	•
48/ 51LR	MotPMSS	Start / Stalled protection / Motor reacceleration	•	•	•
51S	MotPMSS	Locked rotor during starting	•	•	•
51LR	MotPMSS	Locked rotor after successful start	•	•	•
55	PfrPPAM	Out of step / Power factor	•	•	•
14		Speed switch input	•	•	•
26	RtdPTTR	10 optional RTD inputs	•	•	•
	OcpCliPTOC/M siClGGIO	4 optional current loop analogue inputs	•	•	•
CONTROL AND MONITORING			P241	P242	P243
Emergency restart			•	•	•
Programmable Scheme Logic			•	•	•
CB control & monitoring IEC 61850: XCBR			•	•	•
Trip circuit supervision			•	•	•
Relay commissioning mode			•	•	•
4 optional current loop analogue outputs			•	•	•
Setting groups			2	2	2
Programmable function keys IEC 61850: FnkGGIO				10	10
Programmable LEDs, Red/Green/Yellow (R/G/Y) 8R 18 R/G/Y 18 R/G/Y IEC 61850: StdLedGGIO/LedGGIO			8R	18 R/G/Y	18 R/G/Y
MEASUREMENTS AND RECORDS			P241	P242	P243
Measurements (primary and secondary) IEC 61850: PriFouMMXU/PriStdMSQI and SecFouMMXU/SecStdMSQI			•	•	•
Power and energy measurements IEC 61850: PriEflMMTR/SecEflMMTR			•	•	•
Disturbance records up to 20 x 10.5 s (backed-up) IEC 61850: RDRE			•	•	•
Fault records (backed-up)			5	5	5
Event logging (backed-up)			250	250	250
COMMUNICATIONS			P241	P242	P243
Front port (RS232)			1	1	1
Rear port (RS485) (COMM1/RP1)			1	1	1
Optional 2nd rear communications port (RS485/RS232) (COMM2/RP2)			•	•	•
Optional rear communications fibre optic/ethernet port (COMM1/RP1)			•	•	•
Optional rear communications redundant ethernet port (COMM1/RP1)			•	•	•
Optional rear communications fibre optic port (COMM1/RP1)			•	•	•
REAR PORT PROTOCOL			P241	P242	P243
Modbus RTU			•	•	•
IEC 60870-5-103			•	•	•
Kbus-Courier			•	•	•
IEC 61850			•	•	•
HARDWARE			P241	P242	P243
Logic inputs IEC 61850: OptGGIO			8-12	16	16
Output relays IEC 61850: RlyGGIO			7-11	16	16
1/5 dual rated AC current inputs			4	4	7
100 V AC voltage inputs			3	3	3
Optional IRIG-B synchronisation			•	•	•

PROTECTION FUNCTIONS

Short-circuit (50/51)

Four independent stages are available. All stages have definite time delay characteristics. Two of the stages may also be independently set to one of the nine inverse definite minimum time (IDMT) curves (IEC and IEEE and User Curve). The IDMT stages have a programmable reset time for grading with electromechanical relays to reduce autoreclose dead times and to reduce clearance times where intermittent faults occur.

Stator protection (50N, 51N, 67N)

The earth fault current, which will appear following a stator earth fault, can be detected by two independent protection elements using either earth current measured from a sensitive current input, or earth current internally derived from the three phase currents. Both methods can be used simultaneously in the MiCOM Agile P24x. Each function can be directional, in order to ensure the selectivity for isolated neutral systems. The stator earth fault protection includes standard IEC and IEEE IDMT curves and also a user programmable curve for additional flexibility.

Wattmetric earth fault (32N/64N)

The sensitive earth fault protection is also suitable for Petersen Coil earthed systems by enabling a wattmetric element. This form of protection uses the same earth fault protection directional characteristic but with a current, a voltage and a residual power threshold, providing additional qualifiers on operation.

Circuit-breaker failure protection (50BF)

Two-stage circuit-breaker failure protection may be used for tripping upstream circuit-breakers and/or the local secondary trip coil. The circuit-breaker failure logic may also be initiated externally from other protection devices if required.

Voltage transformer supervision

Voltage transformer supervision (VTS) is provided to detect loss of one, two or three VT signals, providing indication and inhibition of voltage dependent protection elements. An optically isolated input may also be configured to initiate the voltage transformer supervision alarm and blocking, when used with miniature circuit-breakers (MCBs) or other external forms of voltage transformer supervision.

Current transformer supervision

Current transformer supervision (CTS) is provided to detect loss of phase CT signals and to inhibit the operation of current dependent protection elements. CTS is provided for both sets of 3-phase CTs in the P243 relay.

Number of starts - Time between starts (66)

Hot/cold starts are supervised during a settable period. In addition, a minimum time between starts can be set to avoid too frequent starts and to protect against overheating of both the motor and starting system.

Loss of field (40)

To detect failure of the synchronous motor excitation, a two stage offset mho impedance element is provided. This allows a small instantaneous characteristic to be used to provide fast tripping for loss of excitation. The second stage can be set with a larger time delayed characteristic to provide stable, secure tripping under low power conditions. Integrating timers are provided to enable the impedance characteristic to provide time delayed pole slipping protection. A power factor alarm element is also available.

Under power / loss of load (37)

The active power, along with a pick-up time delay, are used to detect a loss of load due to a shaft failure or a pump running unprimed. The feature is disabled during starting.

Negative sequence overcurrent (46)

Two elements are provided to detect a phase failure or unbalanced load. Definite time or inverse definite time characteristics can be selected.

Reverse power (32R) synchronous machines

One stage is available in the MiCOM Agile P24x - based on the active power measurement to detect power flow from the machine to the system (motor) when the busbar supply is lost, or from the system to the machine (generator).

Reverse phase sequence detection (47)

Both input voltage phase rotation and magnitude are monitored to ensure they are correct before allowing the machine to start.

Phase reversal

A facility is provided to maintain correct operation of all the protection functions even when the motor is running in reverse. This is achieved through user configurable settings available to two settings groups.

Standard or user programmable thermal overload (49)

The key characteristics are:

1. Alarm and trip stages can be selected.
2. RMS and negative sequence current elements are taken into account so that any unbalanced condition can be detected and any abnormal heating of the rotor can be avoided.
3. Standard overload thermal curve with different time constants according to the machine cycles (heating, cooling or start-up), in order to provide optimal protection.
4. A user-programmable curve feature gives the user additional flexibility. If a standard thermal overload curve is not suitable for the application, the user can program and upload a customised thermal overload curve (both operate and reset) to the relay. Applications such as induction fan drives and high inertia rotors/loads in which the motor stator and rotor thermal limits differ significantly can take advantage of this feature for optimal grading.
5. Inhibition of the function in case of extreme starting conditions (very long start, very high start current).
6. Inhibition of a new start until the machine has cooled down, immediately after a trip.
7. RTD can be optionally connected for ambient temperature compensation of the thermal element.

Stator differential (87) (P243 only)

3-phase machine differential protection is provided to detect stator phase faults. This can be set either as a percentage bias scheme with a dual slope characteristic (Figure 1) or as a high impedance scheme. When high impedance is used, additional stabilizing resistance and metrosil will be required.

Voltage protection (27/59/47)

Two stages are available for under-voltages, overvoltages and negative phase sequence overvoltages. Voltage measurement mode can be selected as phase-phase or phase-neutral and operation mode can be selected as 3-phase or any phase.

Residual overvoltage (59N)

Residual overvoltage protection is available for detecting earth faults in high impedance earthed or insulated systems. The neutral voltage can be derived from the 3-phase voltage inputs or measured from a residual voltage input. Two independent elements are available.

Underfrequency (81U) synchronous machines

To protect synchronous machines against loss of supply, an underfrequency feature provides two independent elements, each one being followed by a definite time delay. During starting, this feature is disabled.

Start / stall protection (48/51LR)

To monitor the starting sequence of the motor, the MiCOM Agile P24x relay provides excessive start time protection / locked rotor protection. Options for start detection include monitoring the circuit-breaker state only, the starting current only, or the circuit-breaker state along with the starting current. Where the motor stall withstand time may be shorter than the starting time, a digital input is provided to accommodate a speed switch to distinguish between start and stall.

Emergency restart

By removing all start inhibits, this function permits a hot motor restart via an opto-input, the user interface or the remote communications facility.

Reacceleration (27LV) / low voltage ride through / auto re-start

Following a low voltage condition on the system for a fixed time, the current can exceed the stalling current threshold upon recovery of the voltage. In order to allow the motor to re-accelerate and provide improved continuity of the operating process, the stall protection is temporarily disabled when authorisation of reacceleration is enabled.

When low voltage ride through is enabled, the relay allows the motor to re-accelerate if the system voltage has been restored to a settable threshold and within a settable time delay. The relay can also automatically restart the motor if the system voltage is restored within a set time after it has been stopped due to failed reacceleration. A sequential automatic restart can also be programmed to allow controlled load restoration.

Out-of-step / power factor (55) synchronous machines

As the current drawn during an out-of-step condition is at a very low power factor, power factor protection is provided for out-of-step protection on synchronous machines. Two stages are available. During starting, this feature is disabled.

Anti backspin (27Abs)

If a motor with high inertia load (for example a fan) is stopped, the shaft continues to rotate for some time before the rotor stops completely. If the motor is switched back on while the rotor is still turning, something akin to a false coupling may occur, causing mechanical damage such as broken fan blades. The risk of such problems can be eliminated by setting a minimum time lapse between stopping the motor and re-starting it or by remanent voltage method.

Resistive temperature detectors (26)

Up to 10 RTDs can be optionally connected to the MiCOM Agile P24x relay. For each selected RTD, both alarm and trip stages can be set. PT100, Ni100 or Ni120 RTDs are supported. Open and short circuit condition monitoring are provided for each RTD channel.

Analog inputs

Up to 4 analog inputs can be optionally connected to the MiCOM Agile P24x. For each selected analog input, both alarm and trip can be set, followed by a definite time delay.

Analog inputs support: 4-20 mA, 0-20 mA, 0-10 mA and 0-1 mA.

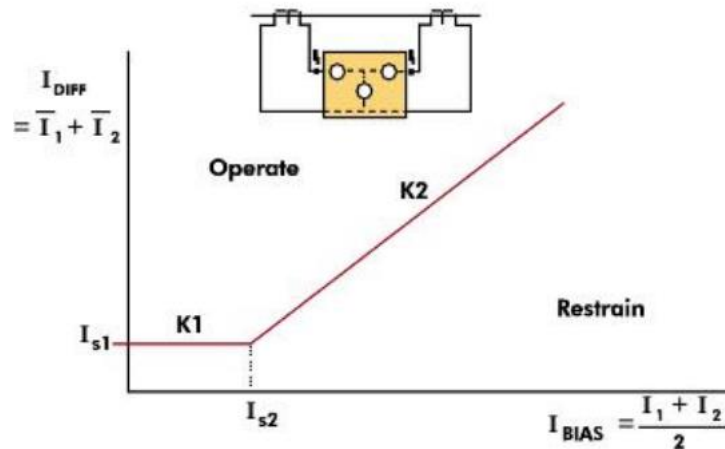


Figure 1. Biased differential protection operating characteristic

For high inertia, large and medium machines - the MiCOM Agile P24x covers a wide range of starting and stalling currents and times

CONTROL FUNCTIONS

Independent protection settings groups

Two settings groups are provided for protection settings to allow for different operating conditions and adaptive relaying, particularly for the protection of dual-speed motors.

Programmable scheme logic

Programmable scheme logic allows the user to customize the protection and control functions. The opto-inputs, the relay outputs and the programmable LEDs are pre-configured by default, but may be programmed by the user to be configured as latching or self-reset for example. The programmable scheme logic comprises gate logic and general purpose timers. The gate logic includes OR, AND and most of the gate functions, with the ability to invert inputs and outputs and provide feedback.

Advanced features provide complete protection, with the added value of measurements, control and monitoring to enhance power system diagnostics and fault analysis.

The programmable scheme logic must be configured using the graphical S1 Agile based software, as shown in Figure 2.

Circuit-breaker control

Circuit-breaker control is available from the front panel user interface, optically isolated inputs or remotely via substation communications.

MEASUREMENT AND RECORDING FACILITIES

All events, fault and disturbance records are time tagged to a resolution of 1 ms using an internal real time clock. An optional IRIG-B port is also provided for accurate time synchronization. A lithium battery provides a back-up for the real time clock and all records in the event of supply failure. This battery is supervised and easily replaced from the front of the relay.

Measurements

Phase currents and phase to neutral voltages are available in true RMS and fundamental quantities:

- Phase voltages V_{an} , V_{bn} , V_{cn}
- Line voltages V_{ab} , V_{bc} , V_{ca}
- Neutral voltage V_n
- Phase current I_a , I_b , I_c
- Neutral current I_n , ISEF
- Sequence currents and voltages
- Frequency
- 3-phase power factor
- Active, reactive and apparent powers (W, VAR, VA)
- Wh, VARh
- Current loop analogue inputs

Motor specific

- Thermal state, thermal load
- Temperature, RTD1...RTD10 in degrees C or F
- Start time, start current
- Time before thermal trip

Specific P243:

- Phase current - I_{a2} I_{b2} I_{c2}
- Bias current - I_{abias} I_{bbias} I_{cbias}
- Differential current - I_{diff} I_{bdiff} I_{cdiff}

Event records

Up to 250 time-tagged event records are stored in non-volatile memory and can be extracted via the front or rear communications ports or viewed on the front panel display.

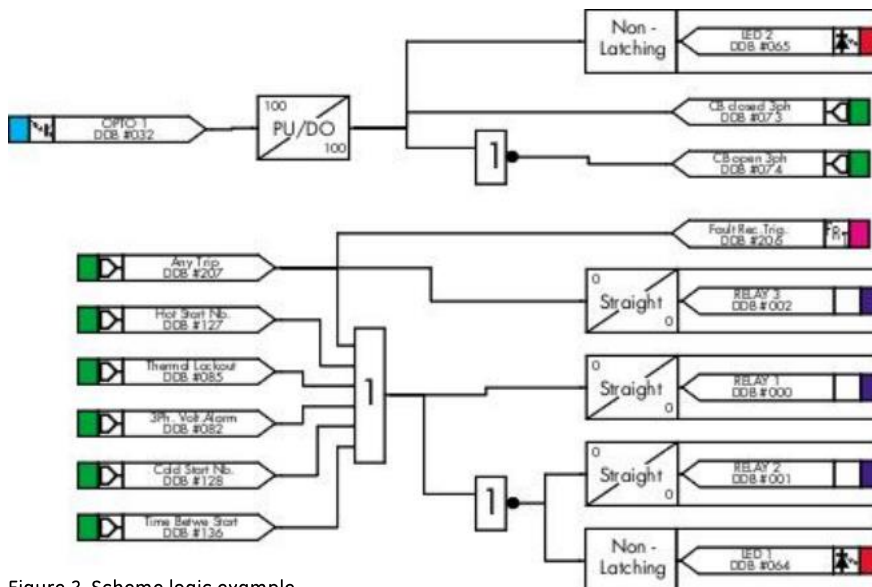


Figure 2. Scheme logic example



Fault records

Records of the last 5 faults are stored in non-volatile memory. The information provided in a fault record includes:

- Indication of faulted phase
- Protection operation
- Active setting group

Disturbance records

The internal disturbance recorder has 8 analog channels, 32 digital and 1 time channel. Data is sampled 24 times a cycle and typically 20 disturbance records, each of up to 10.5 seconds duration are stored in non-volatile memory. All channels and the trigger source are user-configurable. Disturbance records extracted using the MiCOM Agile S1 are automatically saved in the COMTRADE format and may be examined using the disturbance viewer provided, as shown in Figure 3.

Control inputs

The ON/OFF status of 32 control inputs can be set manually or remotely via the communications ports to provide user-defined control functions.

Function keys (P242 and P243 only)

Ten function keys are available for implementing scheme control functionality. The function keys operate in two modes, normal and toggled, activating associated signals in PSL that can easily be used to customize the application. The following examples show how scheme functionality can be implemented:

- Select Group 2 settings
- Reset thermal overload measurement
- Reset latched contacts and LED's
- Trigger disturbance record

Each function key has an associated Tri-colour LED (red, green, yellow) for a clear indication of the associated function's state.

Indication

18 tri-colour LED's (P242/3) and 8 red LED's are available for user programming. The P242/3 LED colours (red, green or yellow) are driven via digital signals in PSL and can be programmed to indicate up to four conditions/states.

For example:

- Off - Not in service,
- Red - CB closed,
- Green - CB open,
- Yellow - CB not healthy.

IEC 61850-9-2 process bus interface

An optional process bus interface is available, allowing the relay to receive current and voltage sampled data from non-conventional instrument transformers such as optical and Rogowski devices. In other digital substation architectures, the -9-2 data is generated by merging units in the yard, which digitize conventional 1 A/5 A and 100/120 V secondaries, for safer and more economical cross-site communication to IEDs by fibre optic. Grid Solutions' -9-2 implementation has been designed to be especially resilient and reliable in the presence of "noise", such as latency, jitter or missing/suspect data.

INFORMATION INTERFACES

Information exchange is possible via the local control panel, the PC interface, the main rear communications interface (COMM1/RP1) or an optional second rear interface (COMM2/RP2).

Local communications

The front EIA(RS)232 Courier communications port has been designed for use with MiCOM Agile S1 software and is primarily for configuring the relay settings and programmable scheme logic. It is also used to locally extract event, fault and disturbance record information and can be used as a commissioning tool by viewing all relay measurements simultaneously.

Rear communications

The main rear communications interface supports the four protocols listed below (selected at the time of order) and is intended for integration with substation control systems:

- Courier/K-Bus
- Modbus
- IEC 60870-5-103
- IEC 61850

IEC 61850 is available when the optional Ethernet or redundant Ethernet port is ordered. IEC 61850 offers high-speed data exchange, peer-to-peer communications, reporting, disturbance record extraction and time synchronisation.

An optional fibre optic interface is available for any of the above protocols. An optional 2nd rear communications port with the Courier protocol is available. This port is intended for central settings or remote access with MiCOM Agile S1.

Redundant Ethernet ports (IEC 61850)

An optional interface is available allowing an alternative path to be always available in case of ethernet network faults. This facility can provide a bumpless redundancy. It is also possible to extend the number of devices, or the size of a substation network, without stopping the network. There are three redundancy protocols available which quickly reconnect a network fault by finding an alternative path, allowing loop-free network topology: RSTP (Rapid Spanning Tree Protocol), SHP (Self Healing Protocol), DHP (Dual Homing Protocol).

The RSTP recovery time is typically 300 ms. It is based on open standards and thus is compatible with other manufacturers' IEDs that use RSTP. Grid Solutions' SHP and DHP solutions deliver very fast recovery times for the entire network (< 1 ms), responding to the constraints of critical time applications such as GOOSE.

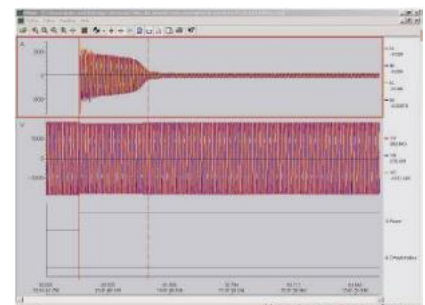


Figure 3 Motor starting

GRID SOLUTIONS' TRACK RECORD - MOTOR AND MACHINE PROTECTION RELAYS

Over 30 years of experience in motor and machine protection design.

First numerical motor protection relay, OPN/ MOPN launched in 1988.

MiCOM Agile motor protection series introduced in 1999, derived from previous successful ranges and user feedback.

Employs latest digital techniques to enhance relay efficiency, reliability and user-friendliness. Worldwide application with over 25 000 units delivered.



SOFTWARE SUPPORT

Windows 98/ME/2000/NT compatible. S1 Agile software comprises:

- Settings editor
- Programmable Scheme Logic editor
- Menu text editor
- Display of fault diagnostics and measurements
- Disturbance recorder viewer

HARDWARE DESCRIPTION

Case

The MiCOM Agile relays are housed in a specially designed case providing a high density of functionality within the product, a customizable user interface and additional functions concealed by upper and lower covers. Physical protection of the front panel user interface and prevention of casual access is provided by an optional transparent front cover, which can be fitted or omitted according to choice since the front panel is designed to IP52 protection against dust and water. The case is suitable for either rack or panel mounting.

- P241: MiCOM Agile 40TE
- P242: MiCOM Agile 60TE
- P243: MiCOM Agile 80TE

Weight

- P241: 7.3 kg
- P242: 9.2 kg (with RTD & CLIO)
- P243: 11.5 kg (with RTD & CLIO)

EMC COMPLIANCE



Compliance with the European Commission Directive on EMC

PRODUCT SAFETY



Compliance with the European Commission Low Voltage Directive

ATEX COMPLIANCE

EX II(2)G

Compliance with the European Directive Article 1 (2) of 94/9/EC

P24x THIRD PARTY COMPLIANCE



File Number: E202519
Original Issue Date: 21-04-2005
(Complies with Canadian and US requirements)

For more information please contact
GE Grid Solutions

Worldwide Contact Center

Web: www.GEGridSolutions.com/contact
Phone: +44 (0) 1785 250 070

www.GEGridSolutions.com

